

B053 Cylinder Quarter-Turn Latch

Features

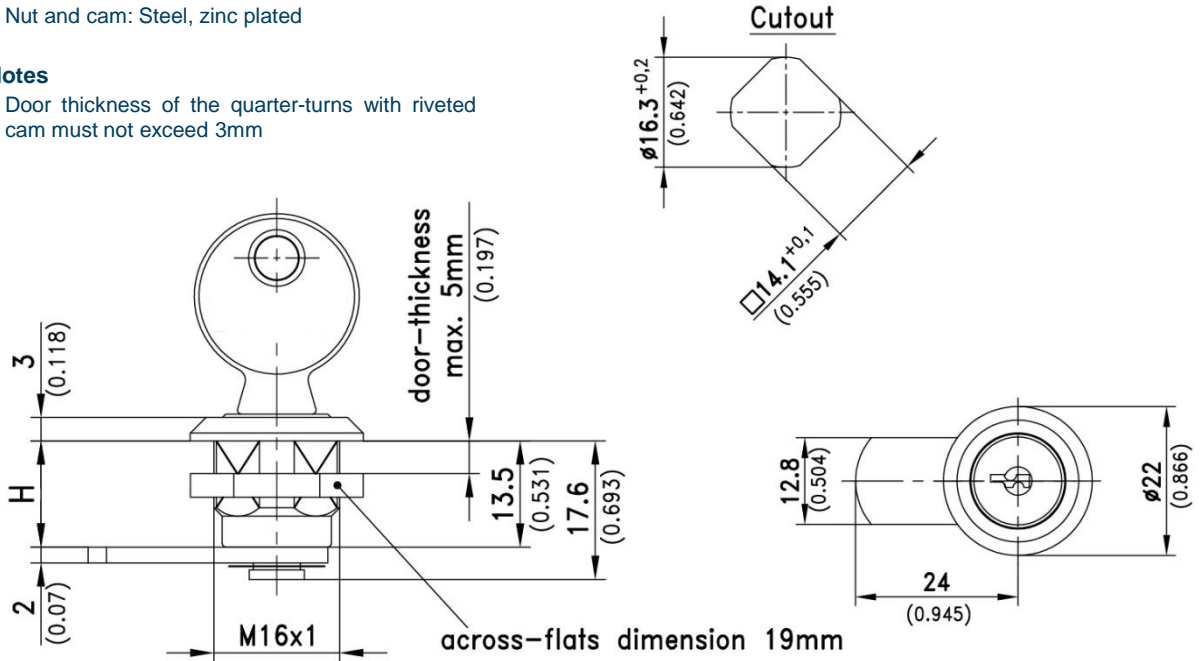
- Cylinder quarter-turn with 90° rotation, nut fixing
- Can be used for both RH or LH application
- Pre-assembled quarter-turn can be installed in the recommended cut-out
- All locks supplied with two keys

Material

- Housing: Zinc die, chrome plated or matt black
- Cylinder: Zinc die, chrome plated
- Nut and cam: Steel, zinc plated

Notes

- Door thickness of the quarter-turns with riveted cam must not exceed 3mm



Part No.	Housing Material	Type	Key	H Dimension	
B053-C20-9207	Zinc Die, Chrome Plated	Standard Riveted Cam	Keyed Alike	7.5	
B053-C20-9208				13.5 (illustrated above)	
B053-C20-9209				19.5	
B053-C20-9210			Keyed Differently	7.5	
B053-C20-9211				13.5 (illustrated above)	
B053-C20-9212				19.5	
B053-C20-9207-72		Matt Black	Special, Cam Fixed With C-Clip	Keyed Alike	7.5
B053-C20-9208-72					13.5 (illustrated above)
B053-C20-9209-72					19.5
B053-C20-9210-72				Keyed Differently	7.5
B053-C20-9211-72					13.5 (illustrated above)
B053-C20-9212-72					19.5
B053-C20-9220-72				Keyed Alike	7.5
B053-C20-9221-72					13.5 (illustrated above)
B053-C20-9222-72					19.5
B053-C20-9223-72				Keyed Differently	7.5
B053-C20-9224-72					13.5 (illustrated above)
B053-C20-9225-72				19.5	